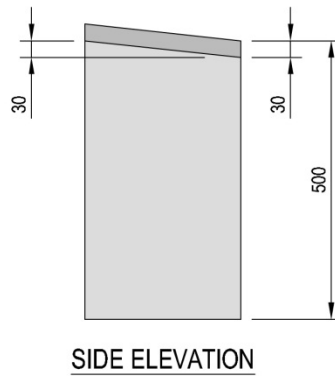
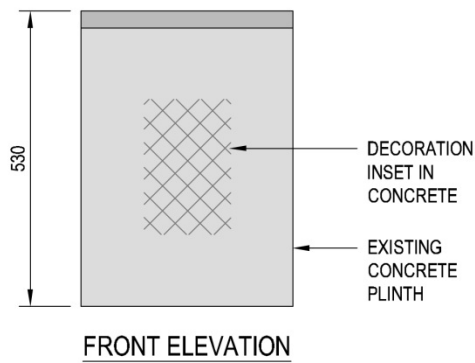
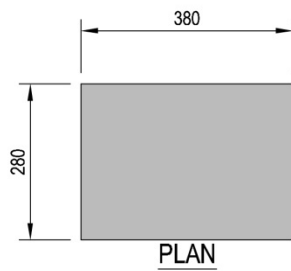


Standard Plan



PONGA TRAIL (BUSH WALK) BLOCK 19

SCALE 1:10
GHD FILE: 51-30553

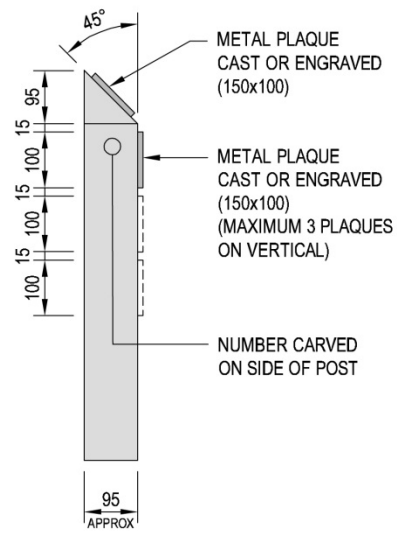
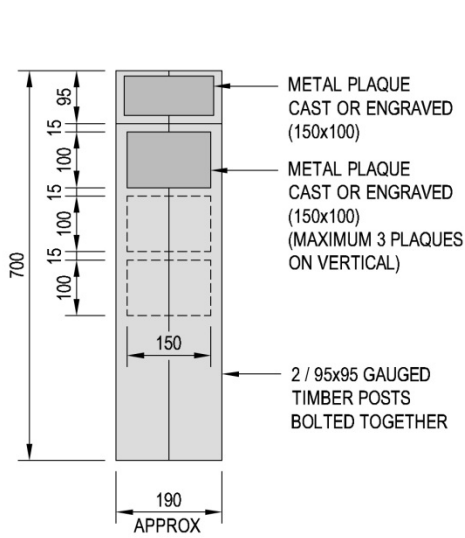
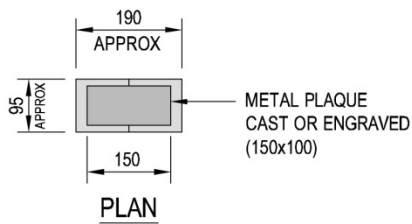
Date:
03 / 04 / 2012

Approved: _____
Reserves Asset Manager

Standard Plan
Number:

CEM-0001

Standard Plan



MEMORIAL TREE BLOCK 18

SCALE 1:10
GHD FILE: 51-30553

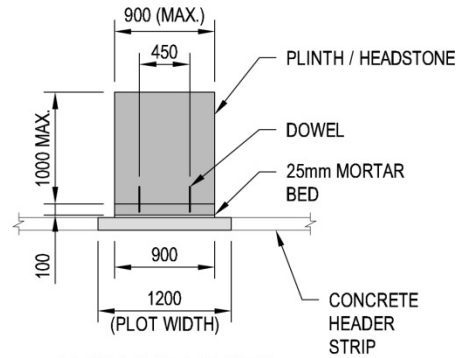
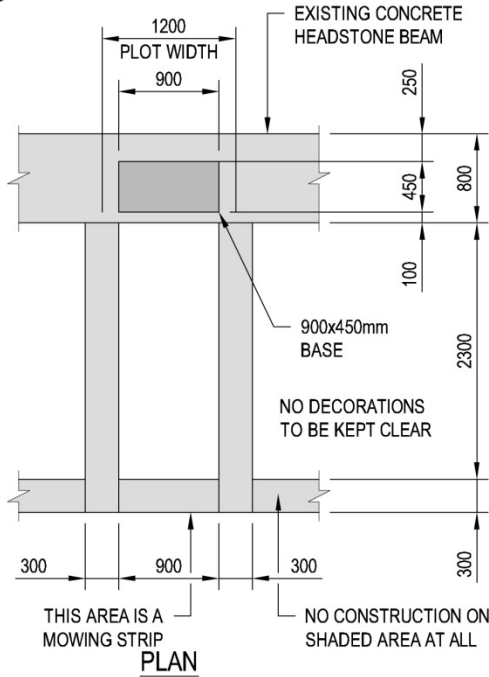
Date:
03 / 04 / 2012

Approved: _____
Reserves Asset Manager

Standard Plan
Number:

CEM-0002

Standard Plan



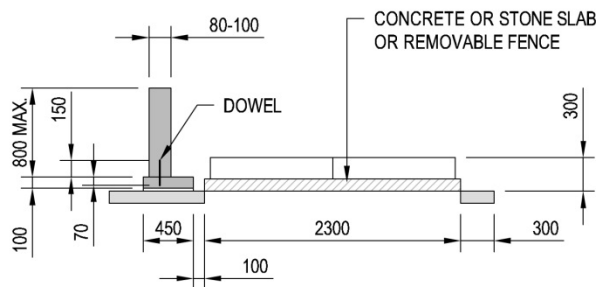
FRONT ELEVATION

NOTES

- ALL MATERIALS USED MUST BE PERMANENT AND DURABLE
- VASES MUST BE ON PLINTH OR BUILT INTO IT
- FENCES MUST NOT EXCEED 300mm IN HEIGHT AND MUST BE REMOVABLE
- 1000mm IS THE MAXIMUM HEIGHT
- NOTHING IS ALLOWED ABOVE THIS HEIGHT
- BOTH SIDES OF THE PLINTH / HEADSTONE CAN BE ENGRAVED

DOWEL SPECIFICATION

- MIN. DIAMETER 12mm
- MUST BE NON-CORROSIVE MATERIAL, IE. ALUMINIUM
- MIN. 70mm INTO BASE
- MIN. 50mm INTO HEADSTONE / PLINTH
- ONE OR TWO DOWELS TO BE USED (DEPENDS ON HEADSTONE / PLINTH STYLE)



SIDE ELEVATION

MONUMENTAL PLOTS BLOCK 16 ONLY

SCALE 1:50
GHD FILE: 51-30553

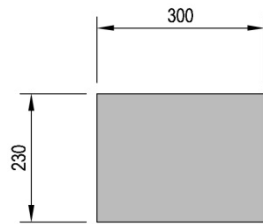
Date: 03 / 04 / 2012

Approved: _____
Reserves Asset Manager

Standard Plan Number:

CEM-0003

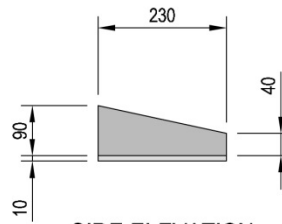
Standard Plan



PLAN



FRONT ELEVATION

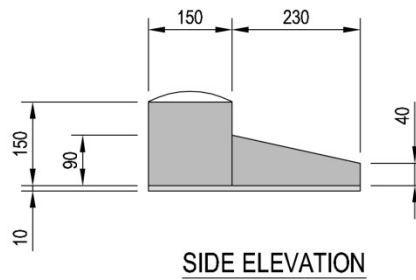
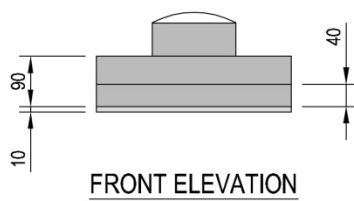
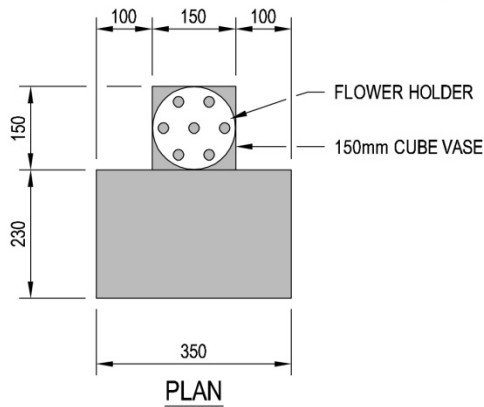


SIDE ELEVATION

GARDEN ASH PLOT TAITA CEMETERY AND WAINUIOMATA GARDEN OF REMEMBRANCE SCALE 1:10
GHD FILE: 51-30553

Date: 03 / 04 / 2012 Approved: _____ Standard Plan Number: **CEM-0004**
Reserves Asset Manager

Standard Plan



STANDARD ASHES LAWN PLOT

IN BLOCKS 1, 5, 6, 14 & 15
(AREAS SET ASIDE FOR ASH PLOTS IN LAWNS)

SCALE 1:10
GHD FILE: 51-30553

Date:

03 / 04 / 2012

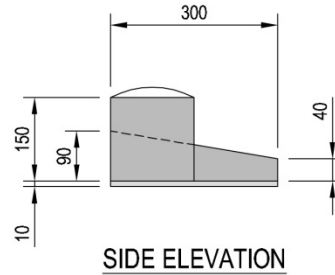
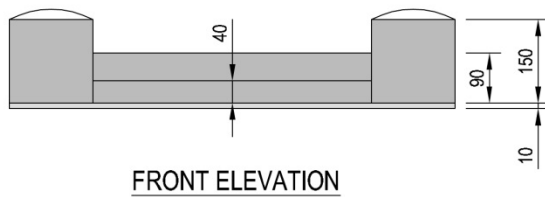
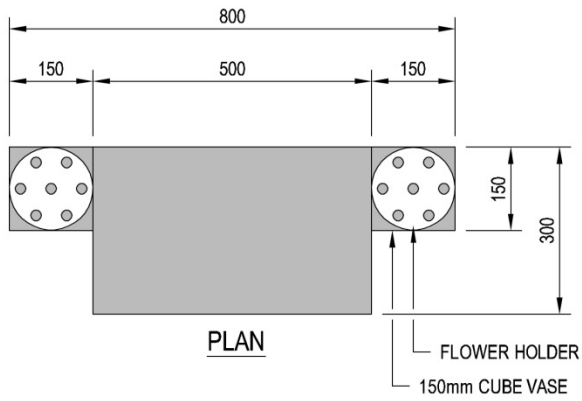
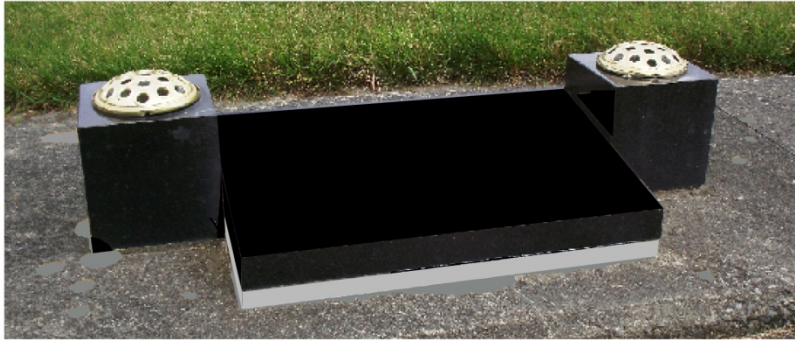
Approved:

Reserves Asset Manager

Standard Plan
Number:

CEM-0005

Standard Plan



FULL SIZE ASH PLOT

SCALE 1:10
GHD FILE: 51-30553

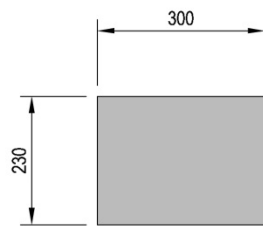
Date:
03 / 04 / 2012

Approved: _____
Reserves Asset Manager

Standard Plan
Number:

CEM-0006

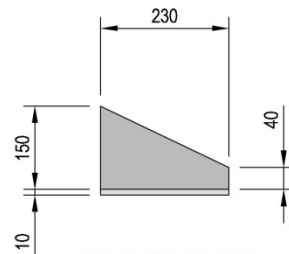
Standard Plan



PLAN



FRONT ELEVATION



SIDE ELEVATION

NOTES

- 1. AVAILABLE IN BLOCKS 1 & 4 (NO ROOM FOR VASE BLOCKS)
- 2. AVAILABLE IN BLOCK 13 (ROOM FOR VASE BLOCKS)

INFANT BURIAL PLOT 0 - 1 YEARS OLD

SCALE 1:10
GHD FILE: 51-30553

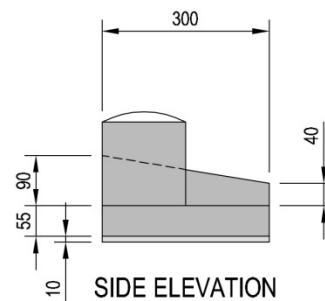
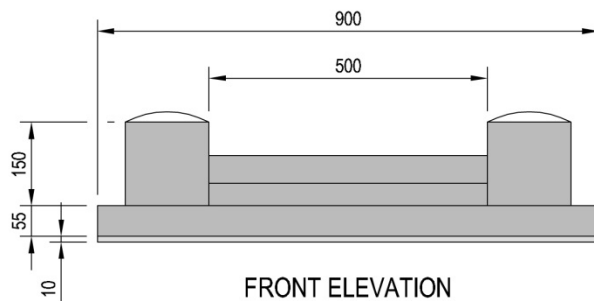
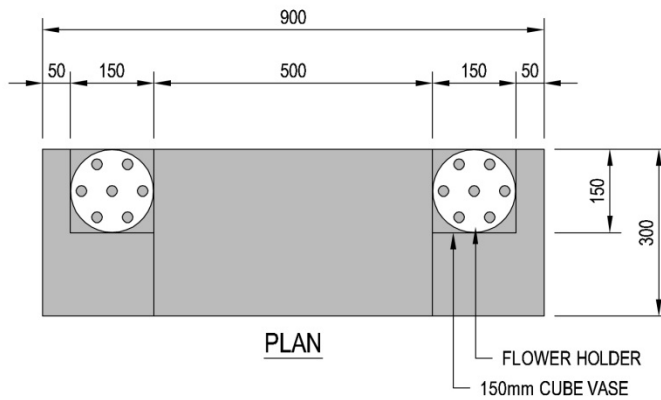
Date:
03 / 04 / 2012

Approved: _____
Reserves Asset Manager

Standard Plan
Number:

CEM-0007

Standard Plan



NOTES

1. BASES CAN BE EITHER 55mm OR 100mm THICK
(NO VARIATIONS TO THESE THICKNESSES PERMITTED)
2. VASE BLOCKS ARE OPTIONAL

FULL SIZE ADULT / CHILD BURIAL PLOT

SCALE 1:10
GHD FILE: 51-30553

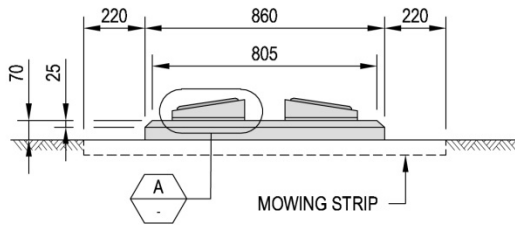
Date:
03 / 04 / 2012

Approved: _____
Reserves Asset Manager

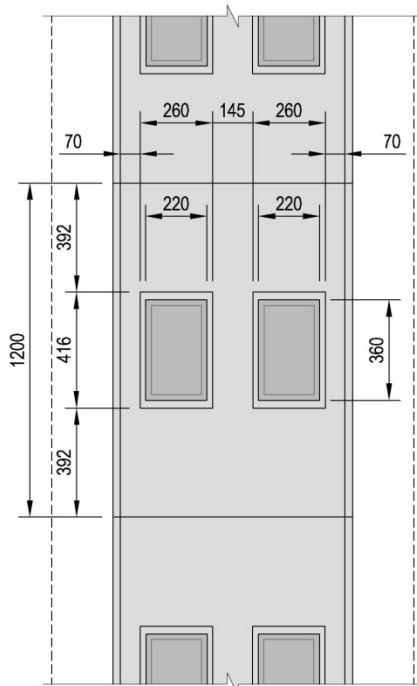
Standard Plan
Number:

CEM-0008

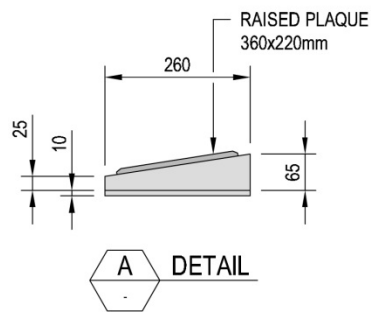
Standard Plan



SECTION



PLAN



A DETAIL

RSA MEMORIAL BURIAL PLOT

TAITA CEMETERY AND
WAINUIOMATA GARDEN OF REMEMBRANCE

SCALE 1:20 / 1:10
GHD FILE: 51-30553

Date:

03 / 04 / 2012

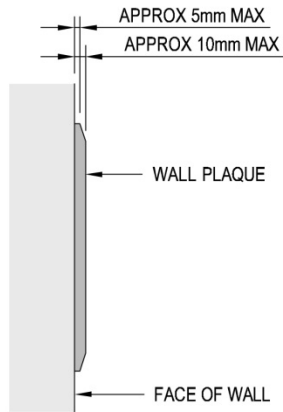
Approved:

Reserves Asset Manager

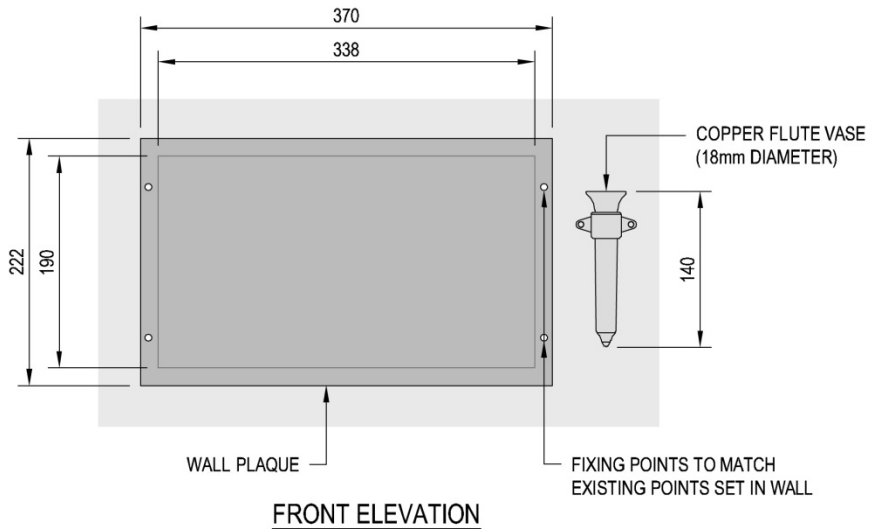
Standard Plan
Number:

CEM-0009

Standard Plan



SIDE ELEVATION



FRONT ELEVATION

RSA MEMORIAL COURT (WALL) BLOCK 12

SCALE 1:5
GHD FILE: 51-30553

Date:
03 / 04 / 2012

Approved: _____
Reserves Asset Manager

Standard Plan
Number:

CEM-0010